

Inverter Heat Pump Systems • Up to 20 SEER • Platinum Series

Product Specifications



MAINLINE

Reliably Comfortable.®

The Mainline Platinum series is an inverter driven, high efficiency, forced air ducted heating & cooling system. This Ultra Heat system provides 80% heating capacity at -20°, with a smaller footprint with dramatically lower noise levels. These systems utilize R-410A refrigerant, and are compatible with standard 24 volt thermostats. 208/230 volt, single phase only.



FEATURES

- Low ambient cooling operation to -5°F
- Heating to -30°F
- Upflow or horizontal airflow only. Not downflow configurable.
- Base pan heater
- 2 to 5 Ton capacities
- Flare connection
- Universal indoor unit compatibility
- High & low pressure protection
- Intelligent defrost eliminates unnecessary defrost cycles & prevents cold airflow at startup
- Optional electric heater kits available
- Side discharge condenser
- Dual condenser fans on 4-5 ton
- Field configurable outdoor unit capacity
- Diagnostic troubleshooting
- Adjustable defrost
- Field selectable airflow levels
- Pre-Charged for 25' of line set
- Over 100' maximum line set length
- Precision electronic expansion valve

Available 208/230 Volt Model	
Outdoor Model	Indoor Model
BB36-24WADU (TU36-24WADU)	BBD36-24AH2ADU (TUD36-24AH2ADU)
BB60-24WADU (TU60-24WADU)	BBD60-24AH2ADU (TUD60-24AH2ADU)

BB Suffix = Mainline Branded Product

TU Suffix = Tosot Branded Product

Available Electric Heater Kit Model 208/230-1 Phase	
HNRD8-8kw	8KW – 208/230-1
HNRD10-10kw	10KW – 208/230-1
HNRD15-15kw	15KW – 208/230-1
HNRD20-20kw	20KW – 208/230-1

Warranty

See warranty information for more details.

All dimensions listed are nominal. MAINLINE® reserves the right to make product and material changes at any time without notice.



Contact your sales representative for more information or visit our website at hvacmainline.com

Inverter Heat Pump Systems • Up to 20 SEER • Platinum Series

Product Specifications



MAINLINE

Reliably Comfortable.®

TECHNICAL SPECIFICATIONS

Outdoor Model	Indoor Model	Nominal BTUH *	Clg. Cap. BTUH *	Htg. Cap. BTUH *	SEER
BB36-24WADU (TU36-24WADU)	BBD36-24AH2ADU (TUD36-24AH2ADU)	24,000 OR 36,000	30,000 OR 40,000	30,000 OR 40,000	20/18
BB60-24WADU (TU60-24WADU)	BBD60-24AH2ADU (TUD60-24AH2ADU)	48,000 OR 60,000	50,000 OR 60,000	50,000 OR 60,000	18/17

* Field selectable

Outdoor Model	Indoor Model	Liq. Conn. (Flare)	Suct. Conn. (Flare)	Refrig. Charge	Charge Length	Max Pipe Length	Add'l Charge Oz/Ft.	Max. Vert. Rise
BB36-24WADU (TU36-24WADU)	BBD36-24AH2ADU (TUD36-24AH2ADU)	3/8"	3/4"	123 Oz.	25'	100'	.2	50'
BB60-24WADU (TU60-24WADU)	BBD60-24AH2ADU (TUD60-24AH2ADU)	3/8"	3/4"	28.2 Oz.	25'	164'	.2	50'

ELECTRICAL SPECIFICATIONS

Outdoor Model	MOP	MCA	Indoor Weight	Outdoor Weight
BB36-24WADU (TU36-24WADU)	35	27	148 Lbs.	209 Lbs.
BB60-24WADU (TU60-24WADU)	45	39	179 Lbs.	304 Lbs.

MOP = Maximum Overcurrent Protection
MCA = Minimum Circuit Ampacity

Indoor Model	No heat Kit		8kw Heat Kit		10kw Heat Kit		15kw Heat Kit		20kw Heat Kit	
	MOP	MCA	MOP	MCA	MOP	MCA	MOP	MCA	MOP	MCA
BBD36-24AH2ADU (TUD36-24AH2ADU)	15	5	30	25	60	50	NA	NA	NA	NA
BBD60-24AH2ADU (TUD60-24AH2ADU)	15	5	30	25	60	50	90	75	120	100

SYSTEM COMBINATION CHART

AHRI Number	Brand	Outdoor Model	Indoor Model	SEER	EER	HSPF	Clg. Cap.	Htg. Cap.
206414272	TOSOT	BB36-24WADU * (TU36-24WADU)*	BBD36-24AH2ADU* TUD36-24AH2ADU*	20	12.5	10.5	24,000	24,000
206414273	TOSOT	BB36-24WADU ** (TU36-24WADU)**	BBD36-24AH2ADU** TUD36-24AH2ADU**	18	10.0	10.0	36,000	36,000
206414275	TOSOT	BB60-48WADU *** (TU60-48WADU)***	BBD60-24AH2ADU*** TUD60-24AH2ADU***	18	11.5	10.5	48,000	48,000
206414274	TOSOT	BB60-48WADU **** (TU60-48WADU)****	BBD60-24AH2ADU**** TUD60-24AH2ADU****	17	10.5	10.0	54,000	54,000

* Field configured as 2 ton ** Field configured as 3 ton *** Field configured as 4 ton **** Field configured as 5 ton

BB Suffix = Mainline Branded Product TU Suffix = Tosot Branded Product



Contact your sales representative for more information or visit our website at hvacmainline.com

Inverter Heat Pump Systems • Up to 20 SEER • Platinum Series

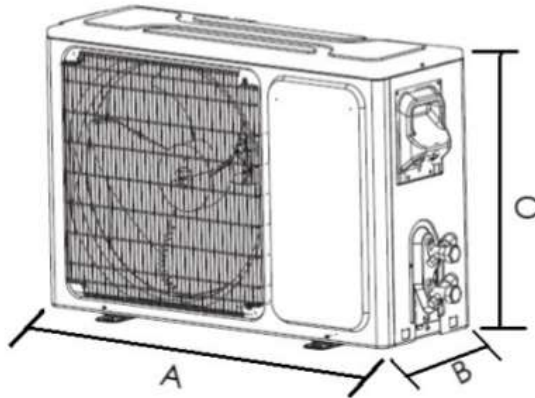
Product Specifications



MAINLINE

Reliably Comfortable.®

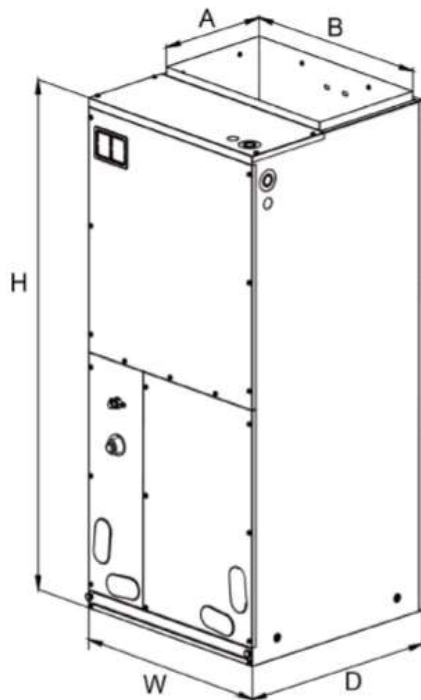
BB36-24WADU (TU36-24WADU)



Outdoor Unit

	inch
A	37
B	18
C	32.3

BBD36-24AH2ADU (TUD36-24AH2ADU)



Indoor Unit

W	D	H
21 1/4"	21 1/4"	48 1/4"

Supply Air Opening

A	B
11 5/8"	20"



Contact your sales representative for more information or visit our website at hvacmainline.com

Inverter Heat Pump Systems • Up to 20 SEER • Platinum Series

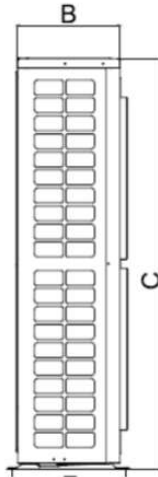
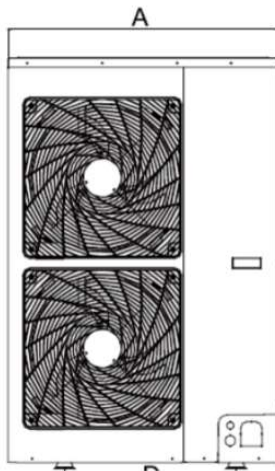
Product Specifications



MAINLINE

Reliably Comfortable.®

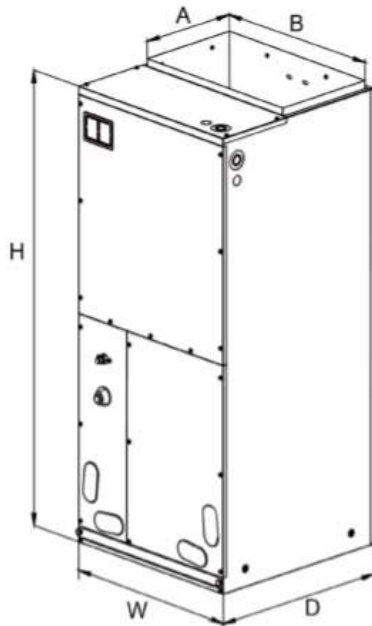
BB60-48WADU (TU60-48WADU)



Outdoor Unit

	inch
A	37
B	12.6
C	56.3

BBD60-24AH2ADU (TUD60-24AH2ADU)



Indoor Unit

W	D	H
24 7/8	21 1/4"	57"

Supply Air Opening

A	B
11 5/8"	20"



Contact your sales representative for more information or visit our website at hvacmainline.com